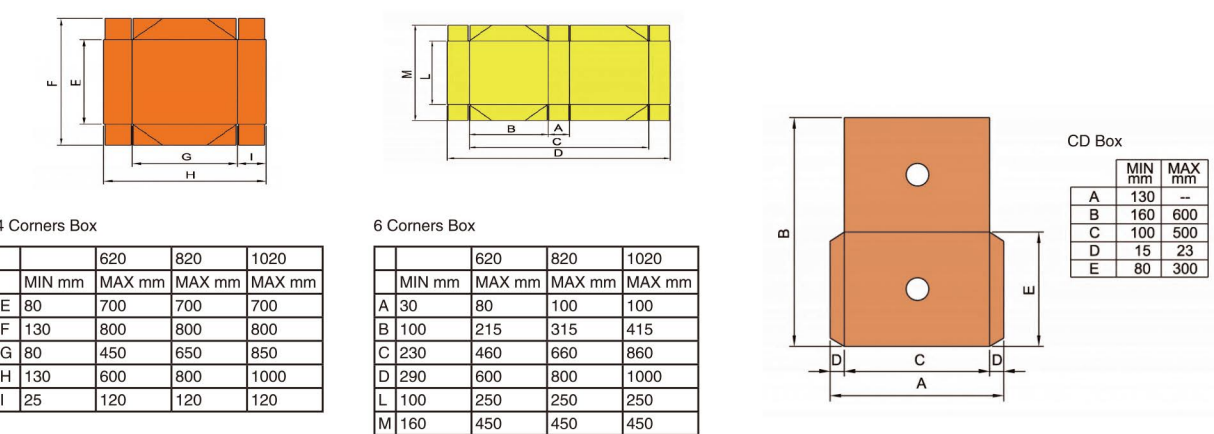
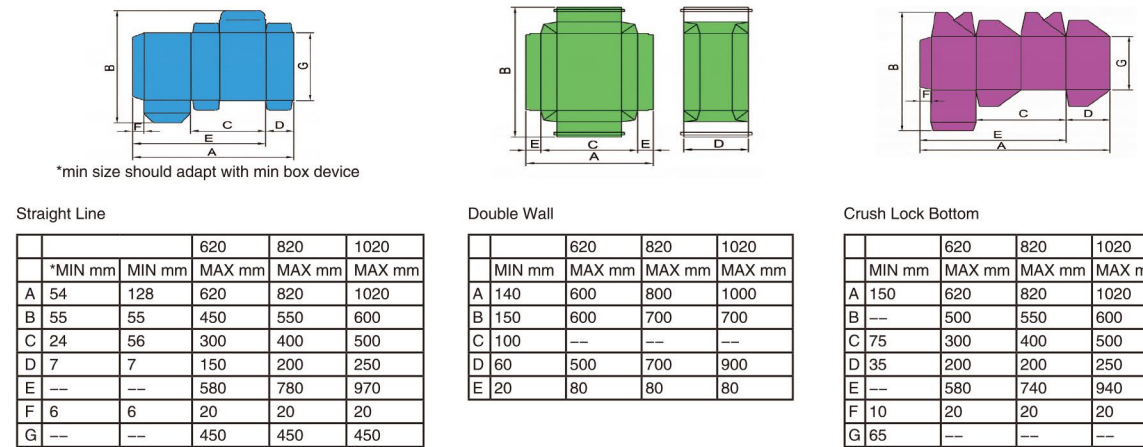




Vega Available Sales Area need to consult to Yoco Group Sales People.



Model	LYRA820	LYRA1020
Max. Blank Size	820 x 800mm	1020 x 800mm
Min. Blank Size	128 x 55mm Optional: 54 x 55mm	128 x 55mm Optional: 54 x 55mm
Material	Carton<=650 grm Corrugate: E/F/N	Carton<=750grm Corrugate: E/F/N
Max Belt Speed	400m/min	400m/min
Power	19Kw	19Kw
Weight	5300kgs	5500kgs
Dimension	13800 x 1960 x 1900mm	13800 x 2080 x 1900mm
Corrugate: E/F/N	Carton<=750grm	18.5KW
Corrugate: E/F/N	0.7m <sup>2</sup> /min	0.7m <sup>2</sup> /min
Max Belt Speed	400m/min	400m/min
Power	19Kw	19Kw
Weight	5300kgs	5500kgs
Dimension	13800 x 1960 x 1900mm	13800 x 2080 x 1900mm



Shanghai Yoco Printing Machinery Co., Ltd.



**FOLD GLUER  
(CARTON)**

TOTAL SOLUTION FOR CONVERTING PACKAGING MACHINERY



Shanghai Yoco Printing Machinery Co., Ltd.  
 Add: 338 Wenqu Road, Fengxian District, Shanghai, P.R. China Zip code:201424  
 Tel: +86 21 64345883/64347019 Fax: +86 21 64345642/64347019  
 Email: info@Yoco-group.cn yoco\_sean@163.com shanghaiyoco@vip.163.com  
 Website: www.yoco-sh.com



Shanghai Yoco Printing Machinery Co., Ltd. reserves the copyright and the final right of interpretation of this brochure  
 No Prior notice will be made for any data change  
 YOCO201810-01-1000

