

sCELL-H2000

LTE Integrated eNodeB

2*20W with MIMO

Passive Cooling IP65

192 Concurrent Users

384 RRC Users

The sCELL-H2000 from BTI WIRELESS is an advanced outdoor LTE compact product that operates in TDD mode. This eNB provides users with high-speed broadband wireless access to the Internet using 2x20W output power (2x2 MIMO with 20W output each channel). This eNodeB can operate in 5, 10, 15 or 20 MHz bandwidth, supporting 192 concurrent users and 384 RRC users.

KEY FEATURES

- Standard LTE TDD Band 40 or customized
- Complies with 3GPP Release 13 standard
- Supports 5/10/15/20 MHz bandwidth
- GUI-based local and remote Web management
- TR069 network management interface support
- External high-gain antenna
- Peak rate (per unit): DL 145 Mbps, UL 30 Mbps @ 20 MHz bandwidth
- 192 concurrent users per eNodeB
- 384 RRC users per eNodeB
- Passive Cooling IP65

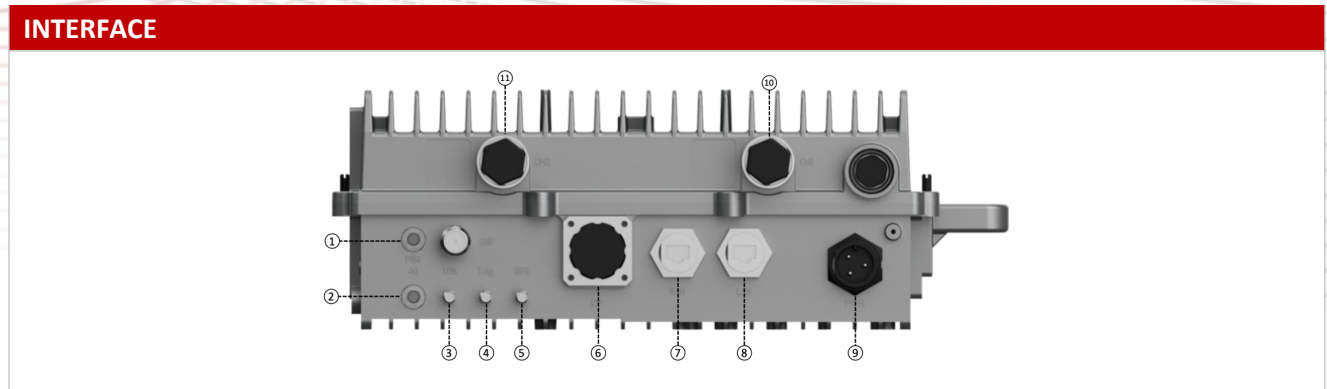
HARDWARE SPECIFICATIONS

LTE Mode	TDD
Frequency Bands	Band 40 or customized
Channel Bandwidth	5/10/15/20 MHz
Max Output Power	43dBm / channel
Power Supply	-48V DC or 220V AC
Power Consumption	≤ 250W
Receive Sensitivity	< -104dBm
Synchronization	GPS, 1588 (optional)
Interfaces	One optical (SFP) and one RJ-45 Ethernet interface
MIMO	2 x 2
Installation	Pole or wall mount
Antenna Type	External high-gain antenna compatible with eNodeB 4.3-10 Female interface
Dimensions (HxWxD)	400 x 300 x 125 mm 15.75 x 11.81 x 4.92 in
Weight	< 20 kg 44.1 lbs (exclude accessories)
MTBF	> 100,000 hours

SOFTWARE SPECIFICATIONS

LTE Standard	3GPP Release 13
User Capacity	192 concurrent users 384 RRC users
QoS Control	3GPP standard GBR QCI (1-4), Non GBR QCI (5-9) Extended QCI 10-255
Modulation	DL: QPSK, 16QAM, 64QAM, 256QAM UL: QPSK, 16QAM, 64QAM

Network Management	TR069
Maintenance	<ul style="list-style-type: none"> Remote or local maintenance Online status management Performance statistics Fault management Local or remote software upgrade Logging Connectivity diagnosis Automatic start and configuration Alarm reporting User information tracing Signaling trace



INTERFACE SPECIFICATIONS		
1	PWR light	Power-on indicator light
2	4G light	Active cell indicator light
3	10M	10M input interface (for testing)
4	Trig	Trig signal output port (for testing)
5	GPS	SNIFF interface for GPS synchronization
6	OP	Optical port backhaul interface
7	WAN	Backhaul network port, connected to the core network
8	LAN	Local commissioning network port, used to log in to the local web or telnet
9	PWR	Power supply interface
10	CH1	LTE RF output port 1
11	CH2	LTE RF output port 2

ENVIRONMENTAL SPECIFICATIONS	
Operating Temperature	-40 °C ~ +55 °C -40 °F ~ +131 °F
Storage Temperature	-40 °C ~ +75 °C -40 °F ~ +158 °F

Humidity	5% ~ 98%
Atmospheric Pressure	86 KPa ~ 106 KPa
Ingress Protection Rating	IP65
Lightning Protection	GB/T 17626.5 standard

Note: Features may vary based on model or region.

TYPICAL APPLICATION



In rural and suburban areas, the wireless network coverage is relatively wide, but the users are less fixed than the fixed ones. By deploying LTE integrated high-power base stations in a town or natural village, the signal coverage in a small area can be achieved, reaching low Investment in rural 4G wireless access.

In order to solve the indoor and outdoor coverage problems of large and medium-sized scenes in Hunan Province, Hunan Mobile purchases our integrated high-power base stations to increase the breadth and depth of network coverage, which greatly improves network quality and service quality.



Rural



Road



Industrial Campus



Capacity Compensation

Contact Us

www.btiwireless.com
sales@btiwireless.com